

## PRODUCT INTRODUCTION

The Bianco NXT Summit Series Drive Controller Kits are an all-in-one solution designed to achieve advanced control, enhanced protection and optimal energy efficiency with the Bianco NXT range of Variable Frequency Drives.

Featuring the latest touch-screen technology and an intuitive user-friendly menu, these kits provide easy access to all the information you need.

SUMMIT SERIES VMS solutions are designed for performance, reliability and ease of use.

## PUMP TECHNICAL DATA

|                              |                               |
|------------------------------|-------------------------------|
| <b>RATED FLOW [M3/H]</b>     | 8 m <sup>3</sup> /hr per pump |
| <b>MAX. FLOW – PUMP SET</b>  | 24 m <sup>3</sup> /hr         |
| <b>MAX. HEAD – PUMP SET</b>  | 86.8 m                        |
| <b>WORKING AIR TEMP</b>      | 0°C – 40°C                    |
| <b>LIQUID TEMPERATURE</b>    | -15°C – 120°C                 |
| <b>HIGHEST EFFICIENCY</b>    | 63.5%                         |
| <b>MAXIMUM PUMP PRESSURE</b> | 33 bar                        |
| <b>NET WEIGHT (KG)</b>       | 52.6 kg                       |

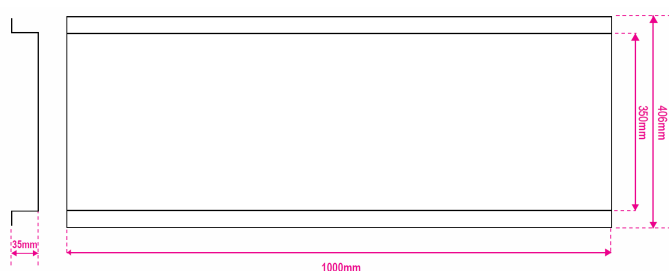
|                              |                         |
|------------------------------|-------------------------|
| <b>RATED VOLTAGE/CURRENT</b> | 3ph 230V +10% -6% 10.5A |
| <b>MOTOR POWER (KW)</b>      | 3.0kW 2-pole            |
| <b>MOTOR IP RATING</b>       | IP55                    |
| <b>MOTOR INSULATION</b>      | Class F                 |
| <b>MOTOR EFFICIENCY STD</b>  | I.E.3                   |
| <b>MOTOR EFFICIENCY</b>      | 87.1%                   |
| <b>COS Ø</b>                 | 0.87                    |
| <b>MECHANICAL SEAL</b>       | SVH-L-16                |
| <b>PUMP FLANGE SIZE</b>      | DN40                    |
| <b>MANIFOLD OUTLET SIZE</b>  | Dual 65mm / DN65 Flange |



Image illustrative only

## INCLUDES

- Galvanised dual-pump base
- 2 x VMS Pumps
- 2 x NXT Drives (Variable Frequency Drive)
- 4-20mA/10bar Pressure Transducer
- Stainless Steel Counter Flanges
- Gaskets to suit Counter Flanges
- Watermarked Spring Check Valve
- Manifold (304 Stainless Steel)
- 30bar Liquid-filled Pressure Gauge
- Outlet-side SS Isolation Valve
- BPT-18 10bar-rated Pressure Tank with 304 SS 25mm isolating valve



Base 1000 x 406mm x 35mm high

BIA-DRIVE1-37-240

## PRODUCT DETAILS



Single Phase 230VAC IN / Single Phase 230VAC OUT

## TECHNICAL DATA

|                         |                         |
|-------------------------|-------------------------|
| INPUT VOLTAGE           | 1ph 220VAC ±15%         |
| INPUT FREQUENCY         | 50/60Hz 5% fluctuations |
| OUTPUT VOLTAGE          | 1ph 230VAC              |
| OUTPUT FREQUENCY        | 0 – 200Hz               |
| OUTPUT RATING           | 17A / Nominal 3.7kW     |
| SPEED HOLDING PRECISION | ±1%                     |
| INGRESS PROTECTION      | IP54                    |
| OPERATING TEMPERATURE   | -10°C to +40°C          |

The NXT DRIVE Series are a range of pump-specific Variable Frequency Drives designed for the Australasian market with both the end-user and the technician in mind.

Featuring a full-colour, touch-screen interface for clear, concise system information, fault codes and protection notices, with a handy setup wizard so you're always in control. NXT DRIVE is both simple to set up and use.

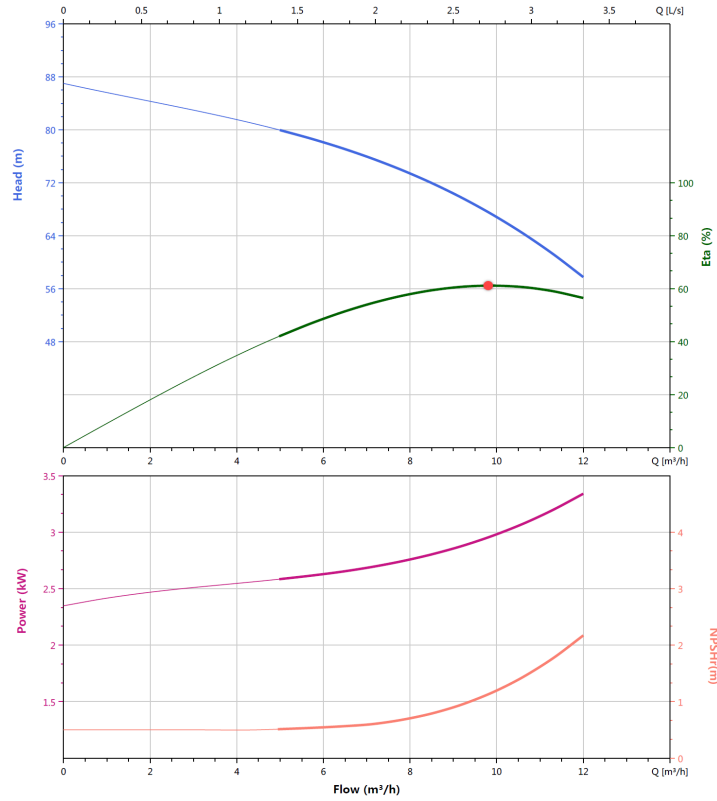
Perfect for achieving constant pressure management of a single pump with advanced control, enhanced protection and optimal energy efficiency.

## FEATURES

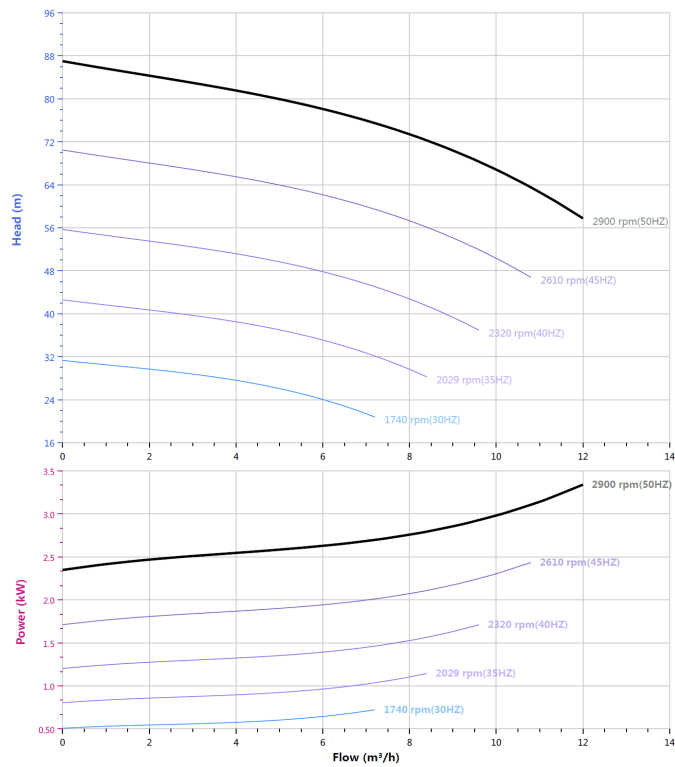
- Control and protect pumps up to 3.7kW (17 Amps)
- Variable frequency control to achieve constant pressure control
- Minimise wasted energy and reduce the need for large pressure tanks
- 'Soft-start' with low motor start current
- Flow, pressure and current protections
- RS485 comms
- 25 plain-language fault messages
- Provides protection from dry run, high and low voltage, input and output short circuits, high and low water pressure, input and output phase failure, high temperature and sensor faults
- 24V, 10V and 5V supply circuits
- Digital and analogue (voltage or current) inputs
- Relay and analogue outputs
- Multi-functional terminals



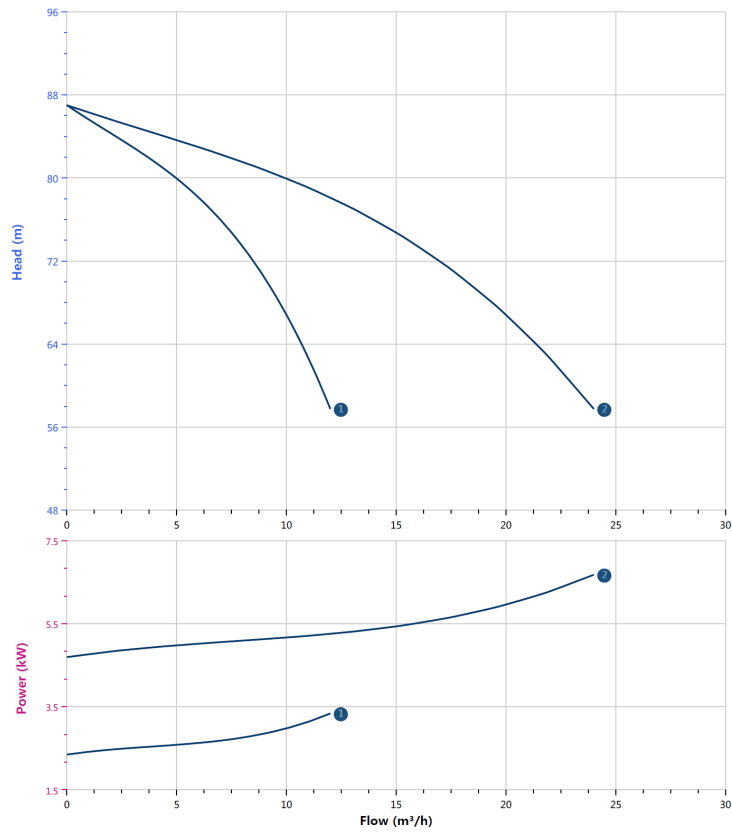
## SINGLE PUMP HYDRAULIC CURVE



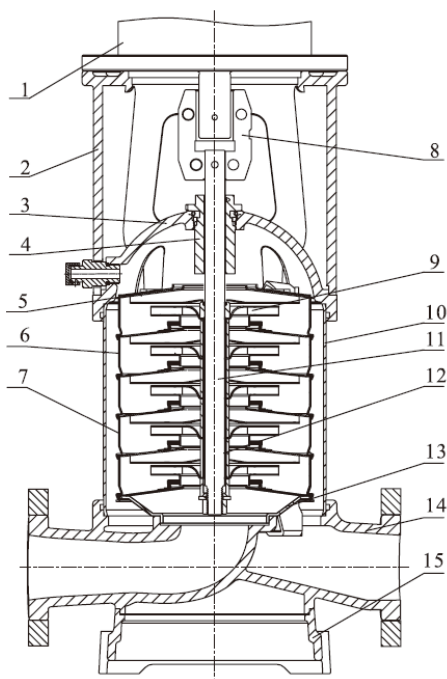
## VFD CURVE



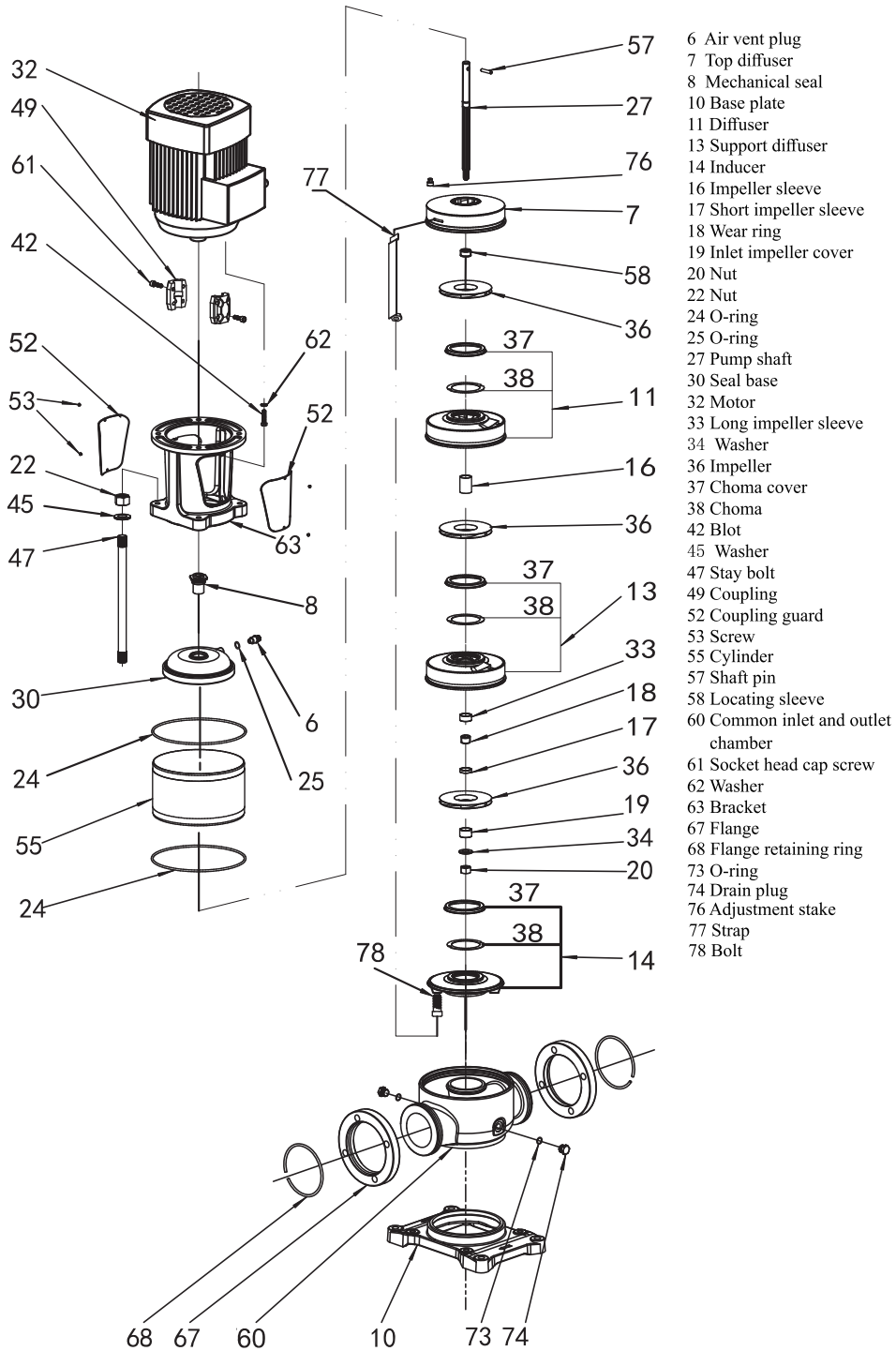
## DUAL PUMP HYDRAULIC CURVE



## CUTAWAY



|    |                      |                                     |
|----|----------------------|-------------------------------------|
| 1  | Motor                | /                                   |
| 2  | Bracket              | Ductile Cast Iron                   |
| 3  | Seal Base            | Stainless / Ductile Cast Iron       |
| 4  | Mechanical Seal      | SVH-L-16                            |
| 5  | Top Diffuser         | Stainless Steel                     |
| 6  | Diffuser             | Stainless Steel                     |
| 7  | Support Diffuser     | Stainless Steel                     |
| 8  | Coupling             | Stainless Steel                     |
| 9  | Impeller             | Stainless Steel                     |
| 10 | Cylinder             | Stainless Steel                     |
| 11 | Shaft                | Stainless Steel                     |
| 12 | Intermediate Bearing | SiC / WC                            |
| 13 | Inducer              | Stainless Steel                     |
| 14 | Inlet/Outlet Chamber | Stainless Steel / Ductile Cast Iron |
| 15 | Base                 | Ductile Cast Iron                   |



**WARRANTY / CERTIFICATIONS**

